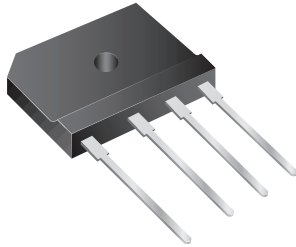
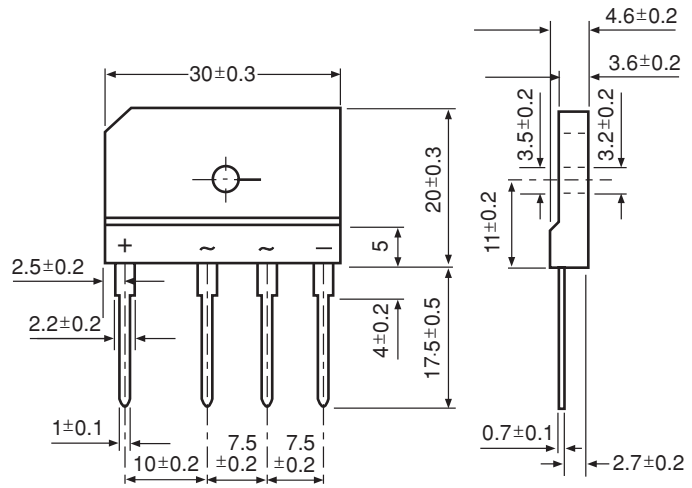


RoHS Compliant Product  
A suffix of "-C" specifies halogen-free.



**● FEATURES**

- Surge overload rating – 350 amperes peak
- Ideal for printed circuit board
- Reliable low cost construction utilizing Molded plastic technique
- Plastic material has underwrites laboratory Flammability classification 94V-0
- Polarity: marked on body
- Mounting position: Any



Dimensions in millimeters

**● MAXIMUM RATINGS AND ELECTRICAL CHARACTERISTICS**

Rating 25 °C ambient temperature unless otherwise specified.  
Resistive or inductive load, 60Hz,  
For capacitive load, derate current by 20%.

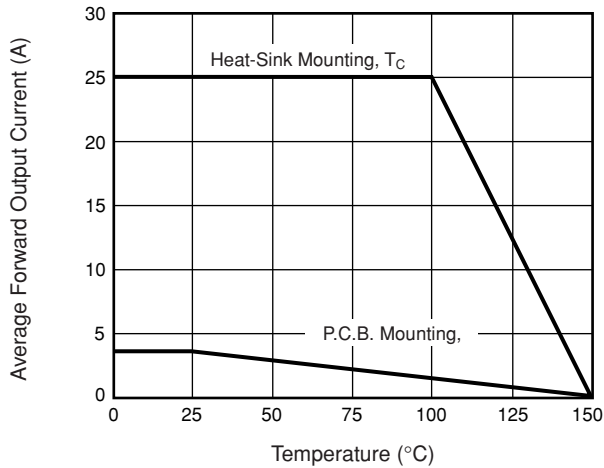
TYPE NUMBER	SYMBOL	GBJ 25A	GBJ 25B	GBJ 25D	GBJ 25G	GBJ 25J	GBJ 25K	GBJ 25M	UNITS
Maximum Recurrent Peak Reverse Voltage	$V_{RRM}$	50	100	200	400	600	800	1000	V
Maximum RMS Voltage	$V_{RMS}$	35	70	140	280	420	560	700	V
Maximum DC Blocking Voltage	$V_{DC}$	50	100	200	400	600	800	1000	V
Maximum Average Forward (with heatsink Note2) Rectified Current @ $T_C=100^{\circ}C$ (without heatsink)	$I_{(AV)}$					25.0			A
Peak Forward Surge Current, 8.3 ms single half Sine-wave superimposed on rated load (JEDEC method)	$I_{FSM}$					350			A
Maximum Forward Voltage at 2.0A	$V_F$					1.05			V
Maximum DC Reverse Current $T_a=25^{\circ}C$ at Rated DC Blocking Voltage $T_a=125^{\circ}C$	$I_R$					10			$\mu A$
$I^2t$ Rating for fusing ( $t < 8.3ms$ )	$I^2t$					510			A <sup>2</sup> s
Typical Junction Capacitance per element (Note1)	$C_J$					85			pF
Typical Thermal Resistance (Note 2)	$R_{\theta JC}$					0.6			$^{\circ}C / W$
Operating Temperature Range	$T_J$					- 55 ~ + 150			$^{\circ}C$
Storage Temperature Range	$T_{STG}$					- 55 ~ + 150			$^{\circ}C$

NOTES:

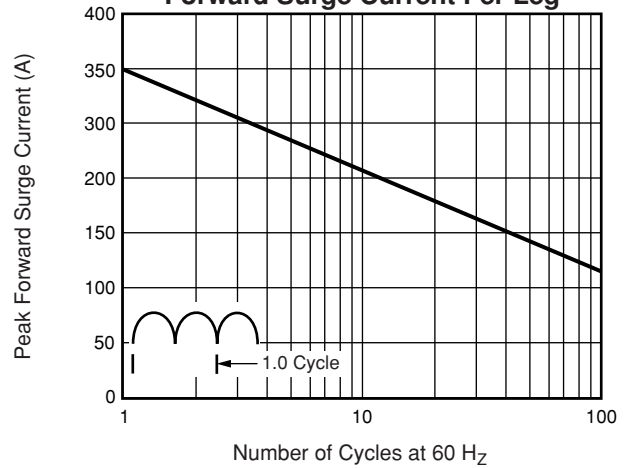
1. Measured at 1.0 MHz and applied reverse voltage of 4.0V D.C.
2. Device mounted on 50mm x 50mm x 1.6mm Cu Plate Heatsink.

**Ratings and Characteristic Curves** ( $T_A = 25^\circ\text{C}$  unless otherwise noted)

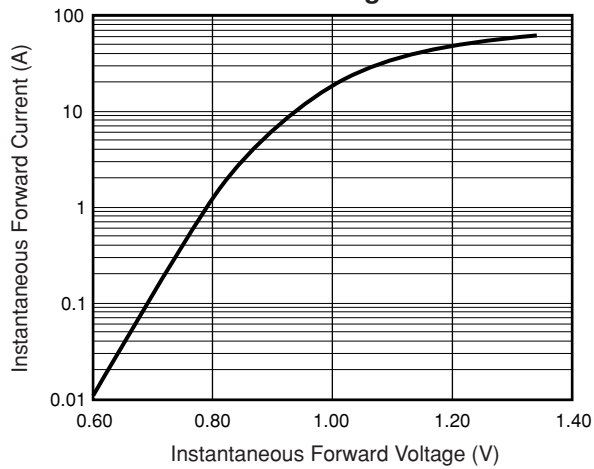
**Fig. 1 – Derating Curve Output Rectified Current**



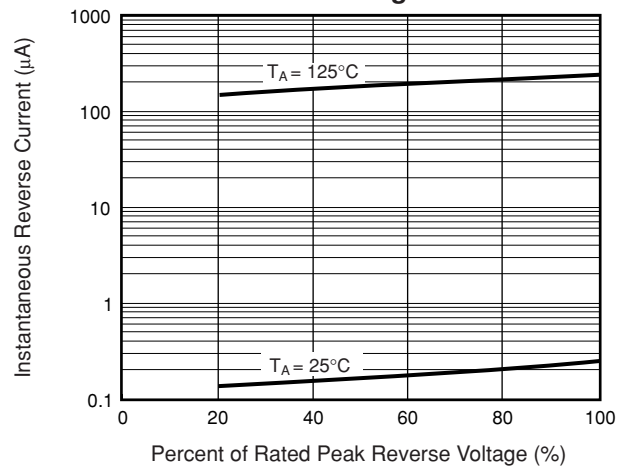
**Fig. 2 – Maximum Non-Repetitive Peak Forward Surge Current Per Leg**



**Fig. 3 – Typical Forward Characteristics Per Leg**



**Fig. 4 – Typical Reverse Characteristics Per Leg**



**Fig. 5 - Typical Junction Capacitance Per Leg**

